



MOVABLE ARCH

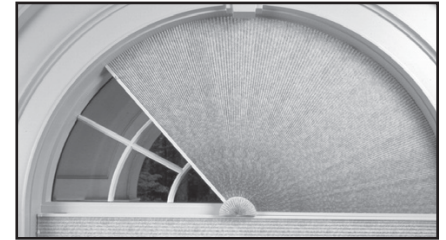
Installation & Operating Instructions

K2184

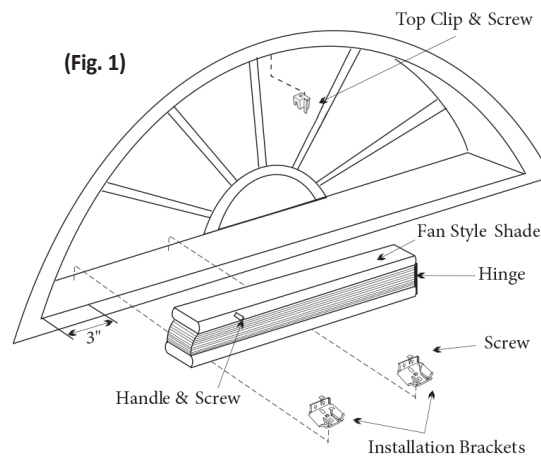
OPERATING INSTRUCTIONS

Simply use the handle to operate the movable arch. An optional pole is available for out of reach shade.

Additional fasteners other than those sent with your shade may be required depending on the mounting surface. Wallboard and plaster require the use of anchors such as expansion or toggle bolts. Brick, tile or stone need special plugs and drill bits. Remember to always pre-drill holes in wood to avoid splitting.



STEP 1: BRACKET INSTALLATION



Using the installation bracket as a template, measure to the edge of the bracket and mark the hole locations with a pencil for drilling.

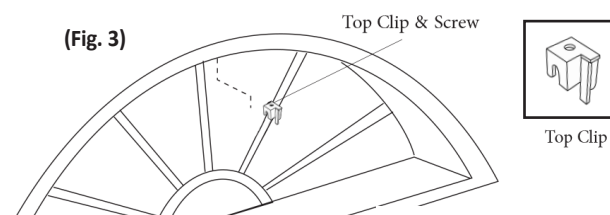
For shades stacking on the left, mount one bracket approximately 3" from the left side of the opening and the other bracket 3" to the left of the center of the window opening. For shades stacking on the right, mount one bracket approximately 3" from the right side of the opening and the other bracket 3" to the right of the center of the window opening (Fig. 1).

STEP 2: SHADE INSTALLATION



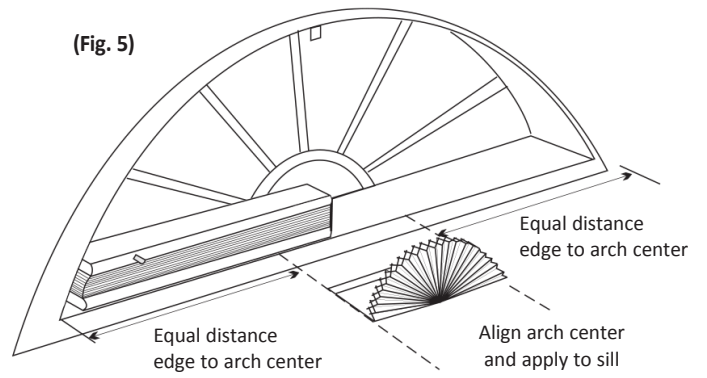
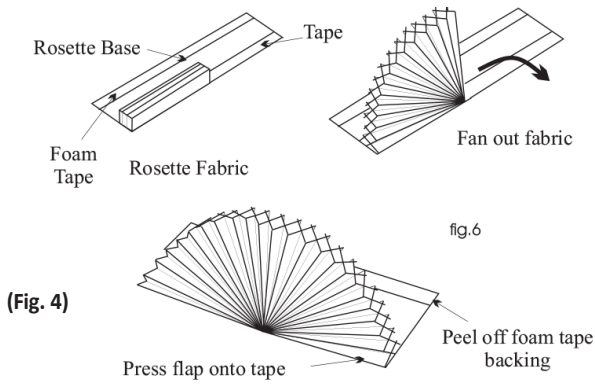
Hold the shade up near the brackets and insert the front clip of the bracket into the front groove of the rail. Push the rail back and down until the back clips of the bracket are inserted in the back groove of the rail (Fig. 2).

STEP 3: TOP CLIP INSTALLATION



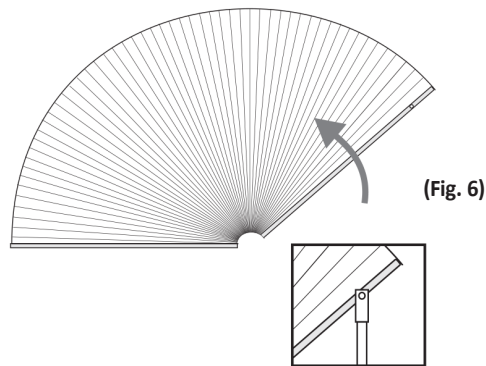
Mount the top clip at the top of the arch opening (Fig. 3). Make sure that there is clearance for the moving rail to pass behind the front of the clip.

STEP 4: ROSETTE ASSEMBLY AND INSTALLATION



The arch center is sent in a closed stack. Peel off the release liner from the tape on the top front of the arch center. Fan out the fabric and press the fabric onto the tape, as shown (Fig. 4). Peel off the release liner from the foam tape on the back bottom of the arch center and attach the arch center to the sill. The arch center should be centered in the window opening (Fig. 5).

SHADE OPERATION



Open the shade manually with the handle. Apply slight downward pressure on the handle when operating the shade to clear the top clip. An optional pole is available for out of reach shades (Fig.6).

SHADE REMOVAL



Push the head rail in toward the window.
Rotate the back of the rail away from the bracket. As you release the brackets, support the rail to keep it from falling (Fig. 7).

CARE AND CLEANING

The shade fabric is easy to care for. Regular dusting with a feather duster or vacuum cleaner brush is recommended. Most stains can be blotted with a damp sponge and mild detergent. Before using anything stronger than mild detergent and lukewarm water, test an unobtrusive corner of the shade. If you have any questions, contact your rep or customer service for more information.